



IATA SIS Production

Major Release 1.7 Communication

Version No: 1.0

REVISION HISTORY LOG

Version Ref	Creation Date
V1.0	27 th January 2015

Table of Contents

Major Release 1.7 Deployment Schedule..... 3
Scope of Major Release 1.7..... 4
Changes as per SIS General Meeting and RA48..... 5
CMPs Prioritized by the SIS Steering Group..... 8
Appendix A11
Appendix B12
Appendix C16

Major Release 1.7 Deployment Schedule

The deployment of Major Release 1.7 is planned to be executed for start of the May P1 2015 clearance.

The deployment, including SIS Production downtime, is currently planned to occur after April P4 2015 period closure i.e. on May 7th, 2015 and after 1700 EST. Final details regarding the time of implementation will be circulated prior to the release.

The validation changes will be deployed in the Sandbox environment in early April for your reference and will confirm this date via a SIS bulletin. We ask that you test your files through the Sandbox prior to the implementation of Release 1.7 in order to ensure a smooth transition to the new validations.

Note: Changes included in this document are only those associated with Release 1.7. All other corrections to the Record Structures or ISPG will be outlined in the ISPG Change Log and not this document.

Scope of Major Release 1.7

Changes as per SIS General Meeting and RA48

CMP #	Subject	Affected Billing Categories	Affects Record Structure?	Changes in Validation?
502	Rejection Reason Codes for Miscellaneous invoices	Miscellaneous	Yes	Yes
641	Time limit validations for third stage rejections	Passenger	No	Yes
650	New Rejection Memo reason codes for Cargo	Cargo	No	Yes
657	Correspondence in SIS - Retention of additional email address	All	No	No
662	Miscellaneous Invoice Type changes as per RAM A13	Miscellaneous	No	Yes

CMPs prioritized by the SIS Steering Group

CMP #	Subject	Affected Billing Categories	Affects Record Structure?	Changes in Validation?
622	Miscellaneous outputs split as per Location ID's	Miscellaneous	No	No
642	Show appropriate currency decimals in Miscellaneous PDF listings and Invoices	Miscellaneous	No	No
645	Access to ACH settlement Reports	All	No	No
648	Show clearance information on Miscellaneous Invoice PDF's	Miscellaneous	No	Yes

The list of CMP's (Change Management Process) items covered in this Major Release is described in greater detail in the table below.

Some changes may have an impact on SIS Users so we recommend to go through the below section in details for evaluating any possible impacts (please refer to Applicability and Change sections within each CMP).

Changes as per SIS General Meeting and RA48

CMP #	Scope	CMP Release Scope Summary
502	Rejection Reason Codes for Miscellaneous invoices	<p><u>Description:</u></p> <p>Similar to Passenger and Cargo Rejection Memos, Miscellaneous Rejections (Rejection Invoices) are also now required to provide a Reason Code, which will have a specific meaning.</p> <p>The Reason Code will be provided at Line Item level, enabling the rejecting member to define separate reasons for each Line Item rejected.</p> <p><u>Applicability:</u></p> <ol style="list-style-type: none"> 1. IS-XML file validation for Miscellaneous invoices 2. IS-WEB – Miscellaneous invoice Capture <p><u>Changes:</u></p> <ol style="list-style-type: none"> 1. IS-XML file validation – Effective May 2015 P1, all rejections sent via IS-XML will need to have the “RejectionReasonCode” node. If it is missing or an incorrect value is provided the invoice will fail validation and be marked as ‘Error Non-Correctable’. 2. IS-WEB: <ol style="list-style-type: none"> a. “Rejection Reason Code” will be available at line item level for Miscellaneous Rejection invoices and will be a mandatory field. b. Display of “Rejection Reason Code” field in Receivables and Payables line item screens c. Display of “Rejection Reason Code” field in the Billing History Audit trail 3. Output files: <ol style="list-style-type: none"> a. The IS-XML output file will have the new “RejectionReasonCode “ node for Miscellaneous Rejection invoices. b. The PDF for Miscellaneous Rejection Invoices will have a new field ‘Rejection Reason Code’.

641	Time Limit Validation on Third Stage Passenger Rejections	<p><u>Description:</u></p> <p>Currently rejections outside time limits are flagged by the system but are allowed to go through. With this change Passenger 3rd stage rejections will fail validation and the invoice will be marked 'Error Non-Correctable' should they be billed/submitted beyond the applicable time limit.</p> <p><u>Applicability:</u></p> <ol style="list-style-type: none"> 1. Passenger Stage 3 Non-Sampling RMs 2. Passenger Sampling Form XF (Stage 3 RMs) <p><u>Changes:</u></p> <ol style="list-style-type: none"> 1. IS-IDEC / IS-XML file validations for passenger stage 3 Rejection Memo's. 2. IS-WEB validations while saving the rejection memo.
650	New Rejection Reason Codes for Cargo	<p><u>Description:</u></p> <p>A) Introduction of 3 new Rejection Reason codes for Cargo:</p> <p>1A – Tact Rate Applies 1B – SPA Applies 1C – Ad Hoc Rate Applies The above 3 new codes would require an AWB breakdown record</p> <p>B) Introduction of 2 Rejection reason codes for cargo (Only to reject Billing Memo's):</p> <p>16 - Rejection of Billing Memos (Mean Exchange Rate Variation) 17 – Rejection of Billing Memos (Others)</p> <p>The above 2 Rejection reason codes do not require an AWB breakdown record as they are only to be used to reject Cargo Billing Memo's that were billed without breakdown records.</p> <p><u>Applicability:</u></p> <p>Cargo Rejection Memo validation</p> <p><u>Changes:</u></p> <ol style="list-style-type: none"> 1. Please refer to Appendix A for validations related to use of reason codes 16 & 17

657	Correspondence in SIS. Retention of additional email address	<p><u>Description:</u></p> <p>Since correspondences are done via SIS, the member has an option to add additional email addresses when sending correspondence. However the additional email addresses are not retained when a reply is sent.</p> <p>This CMP will ensure that the additional email addresses are automatically retained in the reply in all subsequent correspondences.</p> <p><u>Applicability:</u></p> <ol style="list-style-type: none"> 1. Correspondence module in IS-WEB 2. Applicable to Passenger, Cargo and Miscellaneous billing categories <p><u>Changes:</u></p> <ol style="list-style-type: none"> 1. IS-WEB - Correspondence screen
662	Miscellaneous Invoice Type changes as per RAM A13	<p><u>Description:</u></p> <p>This CMP includes required changes to the Miscellaneous billing category in order to provide additional flexibility and to adapt to changes in business rules.</p> <p><u>Applicability:</u></p> <ol style="list-style-type: none"> 1. Miscellaneous Charge Code validations and mandatory fields (IS-XML and IS-WEB) 2. IS-WEB manual capture interface <p><u>Changes:</u></p> <ol style="list-style-type: none"> 1. Please refer to Appendix B for specific validation changes

CMPs Prioritized by the SIS Steering Group

CMP #	Scope	CMP Release Scope Summary
622	Miscellaneous outputs split as per Location ID's	<p><u>Description:</u></p> <p>Currently outputs for all locations are combined and sent to the members in one file. There is a requirement for Miscellaneous output files to be segregated as per location ID as some members have decentralized their operations or have their different services processed by different systems.</p> <p><u>Applicability:</u></p> <ol style="list-style-type: none"> 1. This is applicable for Billing Miscellaneous Category only, and not for other Billing Categories 2. Generation of Location specific files will be optional, and will be controlled by Members using the Member Profile. Members can choose file generation at a Location level 3. Where Location specific files are produced by the system, the data for such files will be excluded from the normal output files which are currently produced 4. Additionally, Members will have an option to request for a copy of such Location specific files to be sent to the Main Miscellaneous iiNET account. This can also be controlled by Members using the Member Profile 5. This is applicable to both Billing as well as Billed files. <p><u>Changes:</u></p> <ol style="list-style-type: none"> 1. Changes in IS-WEB Member profile screen <ol style="list-style-type: none"> a. <u>Locations Tab:</u> A new section 'Miscellaneous Output Files Specific to this Location' will be added. This section will have two new fields, as follows: <ul style="list-style-type: none"> • "Files Specific to this Location Required": This is a checkbox field which has a default value as No/False • "iiNET Account ID for this Location": This is an optional field b. <u>Miscellaneous Tab:</u> A new section 'Location Specific Output Files' will be added. <ol style="list-style-type: none"> i. This will be a checkbox field which has a default value as No/false. ii. A new field 'Receive Copy of Location Specific Files at Location Main' will control transmission of a copy of the file to Main 2. Please refer to Appendix C for output file naming conventions for location specific files.
642	Show appropriate currency decimals in Miscellaneous	<p><u>Description:</u></p> <p>The current Miscellaneous Invoice/Credit Note, PDFs and Listings always show three decimals places for every monetary values. With this CMP, the number of decimals places shown for monetary amounts will be as per the precision defined for the</p>

	PDF listings and Invoices	<p>currency in which it is shown, as per ISO standards.</p> <p><u>Applicability</u></p> <p>The change is applicable for Billing category Miscellaneous PDF invoice and listings only</p> <p><u>Changes</u></p> <ol style="list-style-type: none"> 1. PDF invoices: Changes are applicable in the PDF invoices below: <ol style="list-style-type: none"> a. MISC Original Invoice b. MISC Credit Note c. MISC Rejection Invoice d. MISC Correspondence Invoice 2. Miscellaneous listings 3. Adjustment of monetary fields will be done by rounding invoice totals and truncating other value fields, this will be in accordance with the precision defined for the currency in which it is shown. 4. The adjustment of monetary values in decimal precision are only for display purposes in Invoice PDFs and Listings 5. Other outputs from the system will continue to show monetary values as per current behavior, such as: <ol style="list-style-type: none"> a. IS-XML files b. Processed Invoice CSV reports c. IS-WEB screens and reports 6. Due to the decimal rounding's or truncations, minor inconsistencies may be visible in the Invoice PDFs and Listings when compared to the IS-XML or IS-WEB values.
645	Access to ACH settlement Reports	<p><u>Description:</u></p> <p>ACH members will now have a menu item that will redirect the user to an external ACH login page.</p> <p><u>Applicability:</u></p> <p>To all ACH member users to access their ACH Settlement Reports via IS-WEB</p> <p><u>Changes:</u></p> <ol style="list-style-type: none"> 1. A new menu item will be created for SIS users <ol style="list-style-type: none"> a. Name of the menu item: Access ACH Settlement Reports b. Position of menu item: This will be positioned as the last item in menu group Reports >> Financial Controller (i.e. after existing menu item 'Access ICH Reports') 2. Only Member users having access permission for this new menu item will be able to view and click this item <ol style="list-style-type: none"> a. Access to this menu item will be driven by new permission 'ACHSettlementReports.Access' b. At time of deployment all Super users will have access to this menu option.

648	Show clearance information on Miscellaneous Invoice PDF's	<p><u>Description:</u></p> <p>This CMP aims to show Clearance Amount information in Miscellaneous PDFs. This is required not only for Invoices/Credit Notes settled via ICH/ACH, but for Bilateral settlements as well when clearance information is provided.</p> <p>Also, for Bilateral Invoices/Credit Notes, the system will be enhanced to ensure that inconsistent clearance information is not accepted by the system, so that inappropriate information is not shown on the Invoice PDF.</p> <p><u>Applicability</u></p> <p>This CMP is applicable only for Billing Category Miscellaneous; and not for other Billing Categories.</p> <p><u>Changes</u></p> <ol style="list-style-type: none"> 1. IS-WEB: For bilateral invoices the system will now offer an option to capture Clearance information. <p>Changes are applicable in the following screens:</p> <ol style="list-style-type: none"> a. Miscellaneous Invoice capture Header screen b. Miscellaneous Credit Note capture Header screen <ol style="list-style-type: none"> 2. IS-XML: For bilateral Invoices the system used to allow invoices to pass where 'currency of clearance' was not provided and only the exchange rate was provided. With this change such bilateral invoices will fail validation for incomplete information. 3. Miscellaneous PDF invoices: The PDF invoices will now display the clearance information if provided
-----	---	--

Appendix A

For the new Cargo RM Reason Codes (16 and 17) the following rules will be introduced. They will help to prevent anyone from misusing these reason codes.

Rule #1a: A BM billed with Reason Code '2C' can only be rejected via a Stage 1 RM having Reason Code '16'

Rule #1b: A Stage 1 RM having Reason Code '16' can only reject a BM using Reason Code '2C'

Rule #2a: A BM billed with Reason Code '2Z' can only be rejected via a Stage 1 RM having Reason Code '17'

Rule #2b: A Stage 1 RM having Reason Code '17' can only reject a BM using Reason Code '2Z'

Rule #3a: A Stage 1 RM billed with Reason Code '16' can only be rejected via a Stage 2 RM having Reason Code '16'

Rule #3b: A Stage 2 RM having Reason Code '16' can only reject a Stage 1 RM having Reason Code '16'

Rule #4a: A Stage 1 RM billed with Reason Code '17' can only be rejected via a Stage 2 RM having Reason Code '17'

Rule #4b: A Stage 2 RM having Reason Code '17' can only reject a Stage 1 RM having Reason Code '17'

Rule #5a: A Stage 2 RM billed with Reason Code '16' can only be rejected via a Stage 3 RM having Reason Code '16'

Rule #5b: A Stage 3 RM having Reason Code '16' can only reject a Stage 2 RM having Reason Code '16'

Rule #6a: A Stage 2 RM billed with Reason Code '17' can only be rejected with a Stage 3 RM having Reason Code '17'

Rule #6b: A Stage 3 RM having Reason Code '17' can only reject a Stage 2 RM having Reason Code '17'

This CMP is applicable only for Billing Category Cargo.

Appendix B

All fields moving from “Recommended” to “Mandatory” will follow the below validation logic at the time of deployment.

For Original Invoices

1. Mandatory Check will always be applied
 - a. If no value is provided for the field or the node is not provided in the file, the validation will fail for the field
 - b. Error message in case of validation error will be as per existing error message when a mandatory check fails

For Credit Notes

1. If Line Item Details have been provided for the Charge Category/Charge Code combination, then the mandatory check will be applied
 - a. If no value is provided for the field or the node is not provided in the file, the validation will fail for the field
 - b. Error message in case of validation error will be as per existing error message when a mandatory check fails

For Stage 1,2 Rejection Invoices & correspondence invoices

1. Providing line item details is optional
2. “Mandatory” / “Recommended” / “Recommended Always” / “Optional” field requirements apply on Line Item Details only if provided
3. If the line item detail field is provided then the Mandatory Check will always be applied irrespective of when the original/rejected invoice was billed, if a field is Mandatory, a value is expected
4. Substitution values are allowed for these fields.

Specific Charge Code validation changes

New requirements for other Charge Categories and Charge Codes (IS-XML)

#	CHARGE CATEGORY	CHARGE CODE	FIELD & GROUP (IF APPLICABLE)	M/R/RA/O REQUIREMENT		VALIDATIONS / COMMENTS
				CURRENT / OLD	PROPOSED / NEW	
1.	Airport	Fees	EmissionClass Of group 'AircraftDetails'	Optional	Recommended	<ul style="list-style-type: none"> If this field is not provided, it will still pass validation
2.	Airport	Misc	FareClass Of group 'SettlementDetails'	Recommended	Optional	<ul style="list-style-type: none"> If this field is not provided, it will still pass validation
3.	Airport	Passenger Services	NoiseClass Of group 'AircraftDetails'	Recommended	Optional	<ul style="list-style-type: none"> If this field is not provided, it will still pass validation
4.	Airport	Utilities	LocationCode @Type Of group 'RouteDetails'	Optional	Mandatory	<ul style="list-style-type: none"> If this field is not provided, it will result in Error-Non-Correctable As per existing validations/functionality: <ul style="list-style-type: none"> Correctness of value will be checked (i.e. as per IATA city/airport code or UNLOCCODE) Attribute 'Type' is mandatory No dictionary defined values exist for the attribute. Any value can be provided As an exception, the system will allow 0 to be provided as a substitution value for the main field value Also see Note1 below
5.	ATC	En-Route	FlightNo Of group 'FlightDetails'	Mandatory	Recommended	<ul style="list-style-type: none"> If this field is not provided, it will still pass validation
6.	ATC	En-Route	FlightDateTime Of group 'FlightDetails'	Mandatory	Recommended	<ul style="list-style-type: none"> If this field is not provided, it will still pass validation As per existing validations/functionality: <ul style="list-style-type: none"> If provided, it should be a logically correct value Time is optional (only date may be provided)
7.	Engineering	Ramp Handling	ContractNo	Optional	Recommended	<ul style="list-style-type: none"> If this field is not provided, it will still pass validation
8.	Engineering	Ramp Handling	FlightTypeCode Of group 'FlightDetails'	Optional	Recommended	<ul style="list-style-type: none"> If this field is not provided, it will still pass validation As per existing validations/functionality: <ul style="list-style-type: none"> Correctness of value will be checked (i.e. as per IATA service type code) As an exception, the system will allow 0 to be provided as a substitution value
9.	Ground Handling	Cargo Handling	ReferenceNo @Name	Optional	Recommended	<ul style="list-style-type: none"> If this field is not provided, it will still pass validation As per existing validations/functionality, attribute 'Name' is mandatory if main field value is provided

#	CHARGE CATEGORY	CHARGE CODE	FIELD & GROUP (IF APPLICABLE)	M/R/RA/O REQUIREMENT		VALIDATIONS / COMMENTS
				CURRENT / OLD	PROPOSED / NEW	
10.	Ground Handling	Catering	ContractNo	Optional	Recommended	<ul style="list-style-type: none"> If this field is not provided, it will still pass validation
11.	Ground Handling	Catering	ReferenceNo @Name	Recommended	Mandatory	<ul style="list-style-type: none"> If this field is not provided, it will result in Error-Non-Correctable As per existing validations/functionality: <ul style="list-style-type: none"> Attribute 'Name' is mandatory No dictionary defined values exist for this field or the attribute Any value can be provided for this field or attribute Also see Note1 below
12.	Ground Handling	Catering	CabinClass Of group 'AircraftDetails'	Recommended	Mandatory	<ul style="list-style-type: none"> If this field is not provided, it will result in Error-Non-Correctable As per existing validations/functionality: <ul style="list-style-type: none"> No dictionary defined values exist for this field Any value can be provided for this field Also see Note1 below
13.	Ground Handling	Catering	LocationCode @Type Of group 'RouteDetails'	Recommended	Mandatory	<ul style="list-style-type: none"> If this field is not provided, it will result in Error-Non-Correctable As per existing validations/functionality: <ul style="list-style-type: none"> Correctness of value will be checked (i.e. as per IATA city/airport code or UNLOCODE) Attribute 'Type' is mandatory No dictionary defined values exist for the attribute. Any value can be provided As an exception, the system will allow 0 to be provided as a substitution value for the main field value Also see Note1 below
14.	Ground Handling	Catering	MealType @Name Of group 'CateringDetails'	Recommended	Mandatory	<ul style="list-style-type: none"> If this field is not provided, it will result in Error-Non-Correctable As per existing validations/functionality: <ul style="list-style-type: none"> Attribute 'Name' is mandatory No dictionary defined values exist for this field or the attribute Any value can be provided for this field or attribute Also see Note1 below
15.	Ground Handling	Catering	InvoiceOpCode Of group 'CateringDetails'	Recommended	Mandatory	<ul style="list-style-type: none"> If this field is not provided, it will result in Error-Non-Correctable As per existing validations/functionality: <ul style="list-style-type: none"> Correctness of value will be checked (i.e. master 'Miscellaneous Code Group', group "InvoiceOpCode") As an exception, to handle acceptance of 0 as a substitution value, Also see Note1 below
16.	Ground Handling	Catering	InvoiceDbsDate Of group 'CateringDetails'	Recommended	Mandatory	<ul style="list-style-type: none"> If this field is not provided, it will result in Error-Non-Correctable As per existing validations/functionality: <ul style="list-style-type: none"> No validations exist on this field except for logical date value check Any value can be provided for this field Providing Time is optional Also see Note1 below
17.	Ground Handling	Catering	ServiceFlightNbr Of group 'CateringDetails'	Recommended	Mandatory	<ul style="list-style-type: none"> If this field is not provided, it will result in Error-Non-Correctable As per existing validations/functionality: <ul style="list-style-type: none"> No dictionary defined values exist on this field Any value can be provided for this field Also see Note1 below

#	CHARGE CATEGORY	CHARGE CODE	FIELD & GROUP (IF APPLICABLE)	M/R/RA/O REQUIREMENT		VALIDATIONS / COMMENTS
				CURRENT / OLD	PROPOSED / NEW	
18.	Ground Handling	Catering	ServiceFlightDate Of group 'CateringDetails'	Recommended	Mandatory	<ul style="list-style-type: none"> If this field is not provided, it will result in Error-Non-Correctable As per existing validations/functionality: <ul style="list-style-type: none"> No validations exist on this field except for logical date value check Any value can be provided for this field Providing Time is optional Also see Note1 below
19.	Ground Handling	Catering	BoardFlightDate Of group 'CateringDetails'	Recommended	Mandatory	<ul style="list-style-type: none"> If this field is not provided, it will result in Error-Non-Correctable As per existing validations/functionality: <ul style="list-style-type: none"> No validations exist on this field except for logical date value check Any value can be provided for this field Providing Time is optional Also see Note1 below
20.	Ground Handling	Catering	BoardFlightNbr Of group 'CateringDetails'	Recommended	Mandatory	<ul style="list-style-type: none"> If this field is not provided, it will result in Error-Non-Correctable As per existing validations/functionality: <ul style="list-style-type: none"> No dictionary defined values exist for this field Any value can be provided for this field Also see Note1 below
21.	Ground Handling	Catering	Facility Of group 'CateringDetails'	Recommended	Mandatory	<ul style="list-style-type: none"> If this field is not provided, it will result in Error-Non-Correctable As per existing validations/functionality: <ul style="list-style-type: none"> No dictionary defined values exist for this field Any value can be provided for this field Also see Note1 below
22.	Ground Handling	Catering	MealCode Of group 'CateringDetails'	Recommended	Mandatory	<ul style="list-style-type: none"> If this field is not provided, it will result in Error-Non-Correctable As per existing validations/functionality: <ul style="list-style-type: none"> No dictionary defined values exist for this field Any value can be provided for this field Also see Note1 below
23.	Ground Handling	Departure Stamps	FlightNo Of group 'FlightDetails'	Optional	Recommended	<ul style="list-style-type: none"> If this field is not provided, it will still pass validation
24.	Ground Handling	Lounge	ReferenceNo @Name	Optional	Recommended	<ul style="list-style-type: none"> If this field is not provided, it will still pass validation As per existing validations/functionality, attribute 'Name' is mandatory if main field value is provided
25.	Ground Handling	Lounge	TicketNo Of group 'PassengerDetails'	Optional	Recommended	<ul style="list-style-type: none"> If this field is not provided, it will still pass validation

[Note 1](#)

1. Irrespective of when the rejected invoice was billed, if a field is Mandatory, a value is expected
 - a. Substitution values or any values may be provided for such fields
 - b. Whether 'Substitution value' or 'Any value' can be provided is explained per field

Appendix C

Naming Conventions for new File Types

#	FILE TYPE NAME	NAMING CONVENTION
1.	<p>On behalf of IS-XML files (MISC Location Specific)</p> <p>(Files containing data)</p>	<p>Compressed: MIPF-BBBCCCCCCCC-LMMMMMMM.ZIP</p> <p>Uncompressed: MIPF-BBBCCCCCCCC-LMMMMMMM.XML</p> <p>BBB: The Billing Member's Accounting Code. E.g. 125 = British Airways (BA), 001 = American Airlines (AA), 057 = Air France (AF).</p> <p>CCCCCCC: Billing month and period. Represented as YYYYMMPP. E.g. 20150603 = Period 3 of June-2015.</p> <p>MMMMMMM: The Location ID of the Billing Member for which file is generated. The length of this portion of the filename will range between 1 and 7. E.g. 12 = Location ID 12.</p>
2.	<p>On behalf of IS-XML files (MISC Location Specific)</p> <p>(Empty files)- See note below</p>	<p>Compressed: MIPF-BBBCCCCCCCC-LMMMMMMM-NODATA.ZIP</p> <p>BBB: The Billing Member's Accounting Code. E.g. 125 = British Airways (BA), 001 = American Airlines (AA), 057 = Air France (AF).</p> <p>CCCCCCC: Billing month and period. Represented as YYYYMMPP. E.g. 20150603 = Period 3 of June-2015.</p> <p>MMMMMMM: The Location ID of the Billing Member for which file is generated. The length of this portion of the filename will range between 1 and 7. E.g. 12 = Location ID 12.</p> <p>Uncompressed (10 characters): NODATA.TXT</p> <p>This will be a zero byte / empty text file always having this name.</p>

#	FILE TYPE NAME	NAMING CONVENTION
3.	MisclsWebXml (MISC Location Specific) (Files containing data)	<p>Compressed: MWX-BBBTTTTTTTTTTTTTT-LMMMMMMM.ZIP</p> <p>Uncompressed: MWX-BBBTTTTTTTTTTTTTT-LMMMMMMM.XML</p> <p>BBB: The Billing Member's Accounting Code. E.g. 125 = British Airways (BA), 001 = American Airlines (AA), 057 = Air France (AF).</p> <p>TTTTTTTTTTTTTT: Timestamp of file creation by IS. 4 digit year, month in numeric, day, hour in 24h format, minutes, seconds. E.g. file created on 04-May-2016 at 5:27:31pm will have the timestamp 20160504172731.</p> <p>MMMMMMM: The Location ID of the Billing Member for which file is generated. The length of this portion of the filename will range between 1 and 7. E.g. 12 = Location ID 12.</p>
4.	MisclsWebXml (MISC Location Specific) (Empty files)- See note below	<p>Compressed: MWX-BBBTTTTTTTTTTTTTT-LMMMMMMM-NODATA.ZIP</p> <p>BBB: The Billing Member's Accounting Code. E.g. 125 = British Airways (BA), 001 = American Airlines (AA), 057 = Air France (AF).</p> <p>TTTTTTTTTTTTTT: Timestamp of file creation by IS. 4 digit year, month in numeric, day, hour in 24h format, minutes, seconds. E.g. file created on 04-May-2016 at 5:27:31pm will have the timestamp 20160504172731.</p> <p>MMMMMMM: The Location ID of the Billing Member for which file is generated. The length of this portion of the filename will range between 1 and 7. E.g. 12 = Location ID 12.</p> <p>Uncompressed (10 characters): NODATA.TXT</p> <p>This will be a zero byte / empty text file always having this name.</p>

#	FILE TYPE NAME	NAMING CONVENTION
5.	<p>Offline archive files (MISC Location Specific)</p> <p>(Files containing data)</p>	<p>Compressed: OAR-MISC-A-BBB-CCCCCCCC-LMMMMMMM.ZIP</p> <p>A : R (when Recipient Member receives Receivables data) or P (when Recipient Member receives Payables data)</p> <p>BBB: The recipient Member's Accounting Code. E.g. 125 = British Airways (BA), 001 = American Airlines (AA), 057 = Air France (AF).</p> <p>CCCCCCCC: Billing month and period. Represented as YYYYMMPP. E.g. 20150603 = Period 3 of June-2015.</p> <p>MMMMMMM: The Location ID of the recipient Member for which file is generated. The length of this portion of the filename will range between 1 and 7. E.g. 12 = Location ID 12.</p> <p>Uncompressed: When uncompressed, the archive will contain a large number of varying files stored in a hierarchical folder structure, containing files at the appropriate folders.</p> <p>Refer to Annexure 1 for details</p>
6.	<p>Offline archive files (MISC Location Specific)</p> <p>(Empty files)- See note below</p>	<p>Compressed: OAR-MISC-A-BBB-CCCCCCCC-LMMMMMMM-NODATA.ZIP</p> <p>A : R (when Recipient Member receives Receivables data) or P (when Recipient Member receives Payables data)</p> <p>BBB: The recipient Member's Accounting Code. E.g. 125 = British Airways (BA), 001 = American Airlines (AA), 057 = Air France (AF).</p> <p>CCCCCCCC: Billing month and period. Represented as YYYYMMPP. E.g. 20150603 = Period 3 of June-2015.</p> <p>MMMMMMM: The Location ID of the recipient Member for which file is generated. The length of this portion of the filename will range between 1 and 7. E.g. 12 = Location ID 12.</p> <p>Uncompressed (10 characters): NODATA.TXT</p> <p>This will be a zero byte / empty text file always having this name.</p>

#	FILE TYPE NAME	NAMING CONVENTION
7.	ISXML Outbound (MISC Location Specific) (Files containing data)	<p>Compressed : MXMLT-BBBCCCCCCCC-LMMMMMMMM.ZIP</p> <p>Uncompressed : MXMLT-BBBCCCCCCCC-LMMMMMMMM.XML</p> <p>BBB: The Billing Member's Accounting Code. E.g. 125 = British Airways (BA), 001 = American Airlines (AA), 057 = Air France (AF).</p> <p>CCCCCCCC: Billing month and period. Represented as YYYYMMPP. E.g. 20150603 = Period 3 of June-2015.</p> <p>MMMMMMMM: The Location ID of the Billing Member for which file is generated. The length of this portion of the filename will range between 1 and 7. E.g. 12 = Location ID 12.</p>
8.	ISXML Outbound (MISC Location Specific) (Empty files)- See note below	<p>Compressed : MXMLT-BBBCCCCCCCC-LMMMMMMMM-NODATA.ZIP</p> <p>BBB: The Billing Member's Accounting Code. E.g. 125 = British Airways (BA), 001 = American Airlines (AA), 057 = Air France (AF).</p> <p>CCCCCCCC: Billing month and period. Represented as YYYYMMPP. E.g. 20150603 = Period 3 of June-2015.</p> <p>MMMMMMMM: The Location ID of the Billing Member for which file is generated. The length of this portion of the filename will range between 1 and 7. E.g. 12 = Location ID 12.</p> <p>Uncompressed (10 characters): NODATA.TXT</p> <p>This will be a zero byte / empty text file always having this name.</p>
9.	Daily MISC Bilateral IS-XML (Location Specific) (Files containing data)	<p>Compressed: D-MXMLT-BBBYYYYMMDD-LMMMMMMMM.ZIP</p> <p>Uncompressed: D-MXMLT-BBBYYYYMMDD-LMMMMMMMM.XML</p> <p>BBB: The Billing Member's Accounting Code. E.g. 125 = British Airways (BA), 001 = American Airlines (AA), 057 = Air France (AF).</p> <p>YYYYMMDD: 'Target Date of Daily Delivery Output' set during the daily scheduled output process. Even if a file is re-generated, this date will not change and will always indicate the originally determined target delivery date.</p> <p>MMMMMMMM: The Location ID of the Billing Member for which file is generated. The length of this portion of the filename will range between 1 and 7. E.g. 12 = Location ID 12.</p>

#	FILE TYPE NAME	NAMING CONVENTION
10.	Daily MISC Bilateral IS-XML (Location Specific) (Empty files)- See note below	<p>Compressed: D-MXMLT-BBBYYYYMMDD-LMMMMMMM-NODATA.ZIP</p> <p>BBB: The Billing Member's Accounting Code. E.g. 125 = British Airways (BA), 001 = American Airlines (AA), 057 = Air France (AF).</p> <p>YYYYMMDD: 'Target Date of Daily Delivery Output' set during the daily scheduled output process. Even if a file is re-generated, this date will not change and will always indicate the originally determined target delivery date.</p> <p>MMMMMMM: The Location ID of the Billing Member for which file is generated. The length of this portion of the filename will range between 1 and 7. E.g. 12 = Location ID 12.</p> <p>Uncompressed (10 characters): NODATA.TXT</p> <p>This will be a zero byte / empty text file always having this name.</p>
11.	Daily MISC Bilateral OAR (Location Specific) (Files containing data)	<p>Compressed: D-OAR-MISC-P-BBB-YYYYMMDD-LMMMMMMM.ZIP</p> <p>BBB: Billed Member's accounting code, zero filled & right justified; e.g. 125 = British Airways (BA), 001 = American Airlines (AA), 057 = Air France (AF).</p> <p>YYYYMMDD: 'Target Date of Daily Delivery Output' set during the daily scheduled output process. Even if a file is re-generated, this date will not change and will always indicate the originally determined target delivery date.</p> <p>MMMMMMM: The Location ID of the Billing Member for which file is generated. The length of this portion of the filename will range between 1 and 7. E.g. 12 = Location ID 12.</p> <p>Uncompressed: When uncompressed, the archive will contain a large number of varying files stored in a hierarchical folder structure, containing files at the appropriate folders.</p> <p>Refer to Annexure 2 for details</p>

#	FILE TYPE NAME	NAMING CONVENTION
12.	Daily MISC Bilateral OAR (Location Specific) (Empty files)- See note below	<p>Compressed: D-OAR-MISC-P-BBB-YYYYMMDD-LLLLLLLLL-NODATA.ZIP</p> <p>BBB: Billed Member's accounting code, zero filled & right justified; e.g. 125 = British Airways (BA), 001 = American Airlines (AA), 057 = Air France (AF).</p> <p>YYYYMMDD: 'Target Date of Daily Delivery Output' set during the daily scheduled output process. Even if a file is re-generated, this date will not change and will always indicate the originally determined target delivery date.</p> <p>LLLLLLLLL: The Location ID of the Billing Member for which file is generated. The length of this portion of the filename will range between 1 and 7. E.g. 12 = Location ID 12.</p> <p>Uncompressed (10 characters): NODATA.TXT</p> <p>This will be a zero byte / empty text file always having this name.</p>

* Note that currently the service for empty files (when no eligible data exists) will not be enabled upon the launch of Release 1.7. This is for future use and the target implementation date will be communicated in advance via a SIS bulletin

Annexure 1

Standards for MISC Location specific Offline archive of invoices with related documents received by Billing/Billed Members from IS.

The archive will contain hierarchical levels of folders; and files within folders as per specifications in the following table:

This is almost identical to the specifications defined for non-location specific weekly Offline Archives, Except: Location information has been added to the folder name at level 0

LEVEL	FOLDER / FILE	CHILD OF LEVEL	DESCRIPTION	FORMAT	EXAMPLE

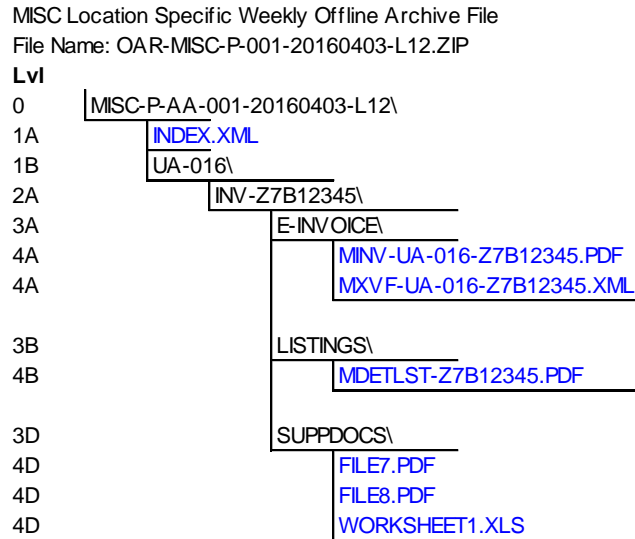
LEVEL	FOLDER / FILE	CHILD OF LEVEL	DESCRIPTION	FORMAT	EXAMPLE
0	Folder	n/a	<p>The top level folder that indicates who the receiver is, whether data pertains to payables/receivables and the clearance period.</p> <p>Occurrence: 1</p> <p>Folder name parameters:</p> <ul style="list-style-type: none"> - Field 1: Always MISC - Field 2 (T): P for payables, R for receivables - Field 3 (CC): The prefix of the receiver (e.g. AA for American Airlines) - Field 4 (DDD): The accounting code of the receiver (e.g. 001 for American Airlines). - Field 5 (YYYYMMPP): The billing clearance month and period number - Field 6: Always L followed by MMMMMMM: The Location ID of the target recipient for which the file is generated. The length of Location ID will range between 1 and 7 	MISC- T-CC- DDD - YYYYMMPP-LMMMMMM	MISC-P-AA-001-20160403-L12\ (MISC Payables information for Location ID 12 of American Airlines, period 3 of April-2016)
1A	File	0	<p>Index file (in XML format).</p> <p>Occurrence: 1</p> <ul style="list-style-type: none"> - Refer to Annexure 1A for specifications when data is created from a receivables perspective. - Refer to Annexure 1B for specifications when data is created from a payables perspective. 	INDEX.XML	INDEX.XML
1B	Folder	0	<p>The designator and accounting code of the Member for which the invoices below pertain to:</p> <ul style="list-style-type: none"> - Billed Member identification if target recipient receives receivables data - Billing Member identification if target recipient receives payables data <p>Occurrence: 1 or more</p> <p>Folder name parameters:</p> <ul style="list-style-type: none"> - Positions 1-2 (CC): The designator of the Member (e.g. BA for British Airways) - Positions 4 onwards (DDD): The accounting code of the Member (e.g. 125 for British Airways). 	CC-DDD	BA-125
2A	Folder	1B	<p>The invoice folder containing all invoice related information.</p> <p>Occurrence: 1 or more</p> <p>Folder name parameters:</p> <ul style="list-style-type: none"> - Positions 4 onwards (NNNNNNNNNN): The invoice number (The size of this field is variable (max 10 characters) as the Invoice Numbers need not have 10 characters in all cases) 	INV- NNNNNNNNNN	INV-ABCDE12345 (Invoice #ABCDE12345)
3A	Folder	2A	<p>The e-invoicing folder containing Invoice copy, Digital Signature files as well as verification log file</p> <p>Occurrence: 0 or 1 (This folder will be created only if the entity has requested for a PDF Invoice copy and/or Digital Signature files)</p>	E-INVOICE	E-INVOICE

LEVEL	FOLDER / FILE	CHILD OF LEVEL	DESCRIPTION	FORMAT	EXAMPLE
4A	File	3A	<p>The Invoice in PDF format. If the entity has opted for Digital Signature Service of PDF Invoice, then this file will be the digitally signed PDF Invoice (with embedded digital signature) else this will be a Non Digitally Signed Invoice Copy.</p> <p>Occurrence: 0 or 1 (This file will be present only if the entity has requested for a PDF Invoice Copy and/or for a Digitally Signed PDF File)</p> <p>Filename parameters:</p> <ul style="list-style-type: none"> - Position 1: Always MINV - Position 6-7 (CC): The designator of the billing member (e.g. AA for American Airlines) - DDD: The accounting code of the billing member (e.g. 001 for American Airlines). - NNNNNNNNNN: The invoice number. The length of this field will range between 1 and 10 	<p>MINV-CC-DDD-NNNNNNNNNN.PDF</p>	<p>MINV-LH-220-ABCDE12345.PDF</p> <p>(MISC invoice #ABCDE12345 billed by Lufthansa LH/220)</p>
4A	File	3A	<p>The Invoice in XML Format.</p> <p>Occurrence: 0 or 1 (This file will be present only if the entity has opted for Digital Signature Service of XML Invoice and has requested for the XML Invoice download)</p> <p>Filename parameters:</p> <ul style="list-style-type: none"> - Position 1-4: Always MINV - Position 6-7 (CC): The designator of the billing member (e.g. AA for American Airlines) - DDD: The accounting code of the billing member (e.g. 001 for American Airlines). - NNNNNNNNNN: The invoice number. The length of this field will range between 1 and 10 	<p>MINV-CC-DDD-NNNNNNNNNN.XML</p>	<p>MINV-LH-220-ABCDE12345.XML</p> <p>(MISC invoice #ABCDE12345 billed by Lufthansa LH/220)</p>
4A	File	3A	<p>The verification log file of the Digitally Signed Invoice.</p> <p>Occurrence: 0 or 1</p> <p>Filename parameters:</p> <ul style="list-style-type: none"> - Position 1-4: Always MXVF - Position 6-7 (CC): The designator of the billing member (e.g. AA for American Airlines) - DDD: The accounting code of the billing member (e.g. 001 for American Airlines). - NNNNNNNNNN: The invoice number. The length of this field will range between 1 and 10 	<p>MXVF-CC-DDD-NNNNNNNNNN.XML</p>	<p>MXVF-LH-220-ABCDE12345.XML</p> <p>(Verification file for MISC invoice #ABCDE12345 billed by Lufthansa LH/220)</p>

LEVEL	FOLDER / FILE	CHILD OF LEVEL	DESCRIPTION	FORMAT	EXAMPLE
4A	File	3A	<p>The Digital Signature file</p> <p>Occurrence: 0 or 1 (This file will be present only in case when the digital signature cannot be embedded in the XML Invoice by the DS provider and a separate Digital Signature file for the XML invoice is received. In case of a PDF Invoice, the Digital Signature will be embedded in the PDF document.)</p> <p>Filename parameters:</p> <ul style="list-style-type: none"> - Position 1-3: Always MDS - Position 5-6 (CC): The designator of the billing member (e.g. AA for American Airlines) - DDD: The accounting code of the billing member (e.g. 001 for American Airlines). - NNNNNNNNNN: The invoice number. The length of this field will range between 1 and 10 	MDS- CC-DDD- NNNNNNNNNN .XML	<p>MDS- LH-220- ABCDE12345.XML</p> <p>(Digital Signature file for MISC invoice #ABCDE12345 billed by Lufthansa LH/220)</p>
3B	Folder	2A	<p>The folder containing detailed listings</p> <p>Occurrence: 0 or 1 This folder will be created only if the entity has requested for detailed listings to be provided.</p>	LISTINGS	LISTINGS
4B	Files	3B	<p>Detailed listings of the invoices.</p> <p>Occurrence: 1</p> <p>Filename parameters:</p> <ul style="list-style-type: none"> - Position 1-7: Always MDETLST - Position 9 onwards (NNNNNNNNNN): The invoice number. The length of this field will range between 1 and 10 	MDETLST- NNNNNNNNNN .PDF	<p>MDETLST- ABCDE12345.PDF</p> <p>(Detailed listing of for MISC invoice #ABCDE12345 billed by Lufthansa LH/220))</p>
3D	Folder	2A	<p>Folder containing supporting documents</p> <p>Occurrence: 0 or 1 This folder will be created only if supporting documents are contained in the invoice.</p>	SUPPDOCS	SUPPDOCS
4D	Files	3D	<p>Supporting documents applicable for the invoice (MISC/UATP).</p> <p>Occurrence: 0 or more</p> <p>The names of these files will be as per what was submitted by Billing Member</p>	Any	Any

Example:

Location ID '12' of AA receives an offline archive for Payables data for period 3, April-2016. Sample structure indicates how the data will be stored in the offline archive.



Annexure 1.A

Format of XML index file when Member receives receivables data. The SISReceivablesIndexTransmission.xsd defines the format.

This is identical to the specifications defined for non-location specific weekly Offline Archives

Structure / Elements													
0	1	2	3	4	5	6	7	{level}	Repeat	Type	Size	Values	Description
SISReceivablesIndexTransmission									1				Defines the Index File for Receivable billings
SISReceivablesIndexHeader									1				Header Information of the SIS Index file for Receivables
Version								1	AN	50	"IATA:SISReceivablesIndex V1.0.0"	Current version number of the specification	
TransmissionID								0-1	AN	50		Unique identifier for the TransmissionMessage.	
BillingMember								1	AN	3		Member Accounting Code (220 in case of Lufthansa, 001 in case of American Airlines etc.)	
ClearanceMonth								1	DT	4		Clearance Month for which the supporting is getting linked. This will be in MMY format	
PeriodNumber								1	AN	2		Clearance Period on for which the Invoice Details are to be linked	
BillingCategory								1	AN	1	M	Always M for Miscellaneous	
InvoiceHeader								1-oo					
BilledMember								1	AN	3		Member Accounting Code (220 in case of Lufthansa, 001 in case of American Airlines etc.)	
InvoiceNumber								1	AN	10		Invoice Number details	
EInvoicingFiles								0-oo					
SrNo								1	N	5		Serial number for e-invoicing related files	
FileName								1	AN	500		The e-invoicing file name including the relative path to access it (if any)	
DetailedListingFiles								0-1					
SrNo								1	N	5		Serial number for Detailed Listing related files	
FileName								1	AN	500		The detailed listing file name including the relative path to access it (if any)	

Annexure 1.B

Format of XML index file when Member receives payables data. The SISPayablesIndexTransmission.xsd defines the format.

This is identical to the specifications defined for non-location specific weekly Offline Archives.

Structure / Elements													
0	1	2	3	4	5	6	7	{level}	Repeat	Type	Size	Values	Description
SISPayablesIndexTransmission									1				Defines the Index File for Payable billings
SISPayablesIndexHeader									1				Header Information of the SIS Index file for Payables
Version									1	AN	50	"IATA:SISPayablesIndexV1.0.0"	Current version number of the specification
TransmissionID									0-1	AN	50		Unique identifier for the TransmissionMessage.
BilledMember									1	AN	3		Member Accounting Code (220 in case of Lufthansa, 001 in case of American Airlines)
ClearanceMonth									1	DT	4		Clearance Month for which the supporting is getting linked. This will be in MMY format
PeriodNumber									1	AN	2		Clearance Period on for which the Invoice Details are to be linked
BillingCategory									1	AN	1	M	Always M for Miscellaneous
InvoiceHeader									1-oo				
BillingMember									1	AN	3		Member Accounting Code (220 in case of Lufthansa, 001 in case of American Airlines)
InvoiceNumber									1	AN	10		
EInvoicingFiles									0-oo				
SrNo									1	N	5		Serial number for e-invoicing related files
FileName									1	AN	500		The e-invoicing file name including the relative path to access it (if any)
DetailedListingFiles									0-1				
SrNo									1	N	5		Serial number for Detailed Listing related files
FileName									1	AN	500		The detailed listing file name including the relative path to access it (if any)
InvoiceSupportingAttachments									0-oo				
AttachmentNumber									1	N	5		Serial number for Invoice Attachments
AttachmentFileName									1	AN	500		The attachment file name including the relative path to access it (if any)

Annexure 2

Standards for Location specific Offline archive of MISC Bilateral Invoices/Credit Notes with related documents received by Billed Members from IS on a Daily basis.

The archive will contain hierarchical levels of folders; and files within folders as per specifications defined below.

This is almost identical to the specifications defined for non-location specific weekly Offline Archives, Except: Location information has been added to the folder name at level 0

LEVEL	FOLDER / FILE	CHILD OF LEVEL	DESCRIPTION	FORMAT	EXAMPLE
0	Folder	n/a	<p>The top level folder that indicates who the receiver is and the delivery date</p> <p>Occurrence: 1</p> <p>Folder name contains multiple fields, each separated by a '-' (hyphen/dash)</p> <p>Folder name parameters:</p> <ul style="list-style-type: none"> - Field 1: Always D to indicate Daily - Field 2: Always MISC, such files apply for MISC Invoices/Credit Notes only - Field 3: Always P, such files are always sent from a Payables perspective only - Field 4 (CC): The prefix of the receiver/Billed Member (e.g. JL for Japan Airlines) - Field 5 (DDD): The accounting code of the receiver/Billed Member (e.g. 131 for Japan Airlines). - Field 6 (YYYYMMDD): The delivery date of the OAR - Field 7: Always L followed by MMMMMMM. The Location ID of the target recipient for which the file is generated. The length of Location ID will range between 1 and 7 <p>Important: Field 6 (the delivery date of the OAR) will map to the originally determined 'Target Date of Daily Delivery Output' during the daily scheduled output process. So, even if a file is re-generated, this date will not change and will always indicate the originally determined target delivery date.</p>	<p>D-MISC-P-CC- DDD - YYYYMMDD- LMMMMMM</p>	<p>D-MISC-P-JL-131-20161211-L12\ (Daily OAR received by JL-131 for Payables MISC Bilateral Invoices/Credit Notes for Location ID 12, on 11-Dec-2016)</p>
1A	File	0	<p>Index file (in XML format).</p> <p>Occurrence: 1</p> <p>Refer to Annexure 2A below for specifications</p>	<p>INDEX.XML</p>	<p>INDEX.XML</p>

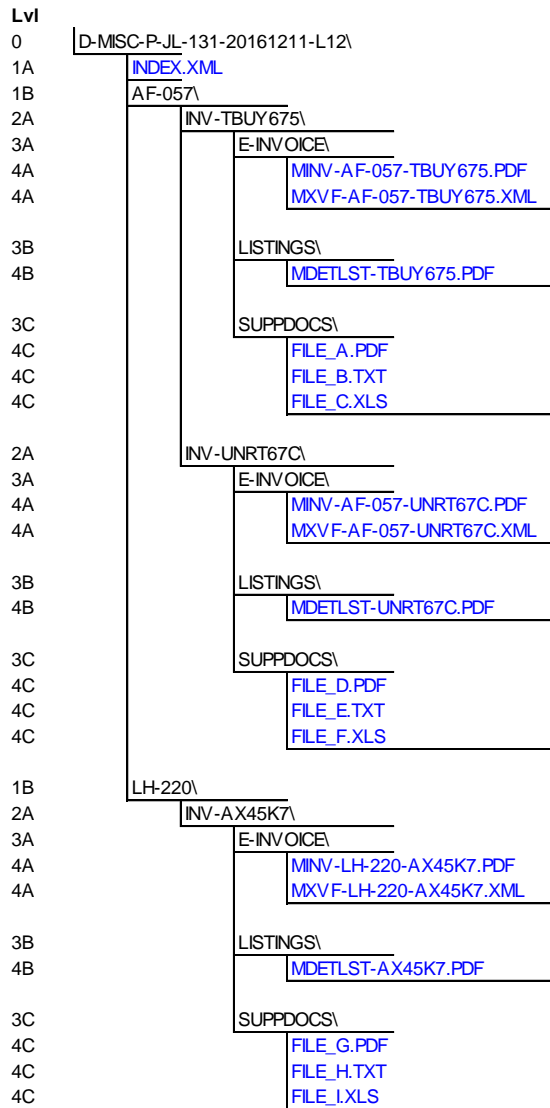
LEVEL	FOLDER / FILE	CHILD OF LEVEL	DESCRIPTION	FORMAT	EXAMPLE
1B	Folder	0	<p>The Designator and Accounting Code of the Billing Member, whose invoices will be included in folders below this level</p> <p>Occurrence: 1 or more</p> <p>Folder name contains multiple fields, each separated by a '-' (hyphen/dash)</p> <p>Folder name parameters:</p> <ul style="list-style-type: none"> - Field 1 (CC): The designator of the Member (e.g. AF for Air France) - Field 2 (DDD): The accounting code of the Member (e.g. 057 for Air France). 	CC- DDD	AF-057
2A	Folder	1B	<p>The invoice folder containing all invoice related information.</p> <p>Occurrence: 1 or more</p> <p>Folder name contains multiple fields, each separated by a '-' (hyphen/dash)</p> <p>Folder name parameters:</p> <ul style="list-style-type: none"> - Field 1: Always INV - Field 2 (NNNNNNNNNN): The number of the Invoice/Credit Note. Will have a minimum length of 1 and a maximum length of 10 	INV-NNNNNNNNNN	INV-TBUY675 (Invoice #TBUY675)
3A	Folder	2A	<p>The e-invoicing folder containing Invoice copy, Digital Signature files as well as verification log file</p> <p>Occurrence: 0 or 1 (This folder will be created only if the Billed Member has requested for a PDF Invoice copy and/or Digital Signature files)</p>	E-INVOICE	E-INVOICE
4A	File	3A	<p>The Invoice in PDF format.</p> <p>Occurrence: 0 or 1 (This file will be present only if the entity has requested for a PDF Invoice Copy and/or for a Digitally Signed PDF File)</p> <p>Filename parameters: Refer to specifications defined in weekly OAR structure</p>	MINV-CC- DDD - NNNNNNNNNN.PDF	MINV-AF-057-TBUY675.PDF (MISC invoice #TBUY675 billed by Air France AF-057)
4A	File	3A	<p>The Invoice in XML Format.</p> <p>Occurrence: 0 or 1 (This file will be present only if the entity has opted for Digital Signature Service of XML Invoice and has requested for the XML Invoice download)</p> <p>Filename parameters: Refer to specifications defined in weekly OAR structure</p>	MINV-CC- DDD - NNNNNNNNNN.XML	MINV-AF-057-TBUY675.XML (MISC invoice #TBUY675 billed by Air France AF-057)
4A	File	3A	<p>The verification log file of the Digitally Signed Invoice.</p> <p>Occurrence: 0 or 1</p> <p>Filename parameters: Refer to specifications defined in weekly OAR structure</p>	MXVF-CC-DDD - NNNNNNNNNN.XML	MXVF-AF-057-TBUY675.XML
3B	Folder	2A	<p>The folder containing detailed listings</p> <p>Occurrence: 0 or 1</p> <p>This folder will be created only if the Billed Member has requested for detailed listings to be provided.</p>	LISTINGS	LISTINGS

LEVEL	FOLDER / FILE	CHILD OF LEVEL	DESCRIPTION	FORMAT	EXAMPLE
4B	Files	3B	Detailed listings of the invoices. Occurrence: 1 Filename parameters: Refer to specifications defined in weekly OAR structure	MDETLST- NNNNNNNNNN.CSV	MDETLST-TBUY675.PDF
3C	Folder	2A	Folder containing supporting documents Occurrence: 0 or 1 This folder will be created only if supporting documents are contained in the invoice; and only if the Billed Member has requested for supporting documents to be provided.	SUPPDOCS	SUPPDOCS
4C	Files	3C	Supporting documents applicable for the invoice. Occurrence: 1 or more The names of these files will be as per what was submitted by Billing Member	Any	Any

Example:

Location ID '12' of JL receives a Daily MISC Offline Archive for Payables data for target date 11-Dec-2016. Sample structure indicates how the data will be stored in the offline archive.

File Name: D-OAR-MISC-P-131-20161211-L12.ZIP



Annexure 2.A

Specifications of INDEX.XML of the Daily Payables OAR for MISC Bilateral Invoices/Credit Notes.

This is identical to the specifications defined for non-location specific Daily Bilateral Offline Archives

Structure / Elements														
0	1	2	3	4	5	6	7	{level}	Repeat	Type	Size	Values	Description	
SISPayablesDailyMiscIndexTransmission								1					Defines the Index File for Payable billings	
SISPayablesDailyMiscIndexHeader								1						Header Information of the SIS Index file
							Version		1	AN	50	"IATA: SISPayable sDailyMiscIn dexTransmi ssion V1.0.0"	Current version number of the specification	
							TransmissionID		0-1	AN	50		Unique identifier for the TransmissionMessage	
							BilledMember		1	AN	3		Member Accounting Code (e.g. 131 for JL, Japan Airlines)	
							DeliveryDate		1	DT	10		Indicates the delivery date of the transmission. It will map to the originally determined 'Target Date of Daily Delivery Output' during the daily scheduled output process. So, even if a file is re-generated, this date will not change and will always indicate the originally determined target delivery date. This will be in YYYY-MM-DD format, e.g. 2013-12-11 for 11-Dec-2013	
							BillingCategory		1	AN	1	M	Always M	
InvoiceHeader								1-oo						
							ClearanceMonth		1	DT	4		Clearance Month in which the Invoice/Credit Note was billed. This will be in MMY format, e.g. 1113 for Nov 2013	
							PeriodNumber		1	AN	2		Clearance Period in which the Invoice/Credit Note was billed. This will be in PP format, e.g. 02 for period 2	
							BillingMember		1	AN	3		Member Accounting Code (e.g. 057 for AF, Air France)	
							InvoiceNumber		1	AN	10		Invoice/Credit Note Number	
							EInvoicingFiles		0-oo					
							SrNo		1	N	5		Serial number for e-invoicing related files	

Structure / Elements													
0	1	2	3	4	5	6	7	{level}	Repeat	Type	Size	Values	Description
							FileName		1	AN	500		The e-invoicing file name including the relative path to access it (if any)
							DetailedListingFiles		0-oo				
							SrNo		1	N	5		Serial number for Detailed Listing related files
							FileName		1	AN	500		The detailed listing file name including the relative path to access it (if any)
							InvoiceSupportingAttachments		0-oo				
							AttachmentNumber		1	N	5		Serial number for Invoice Attachments
							AttachmentFileName		1	AN	500		The attachment file name including the relative path to access it (if any)